

Florafelt

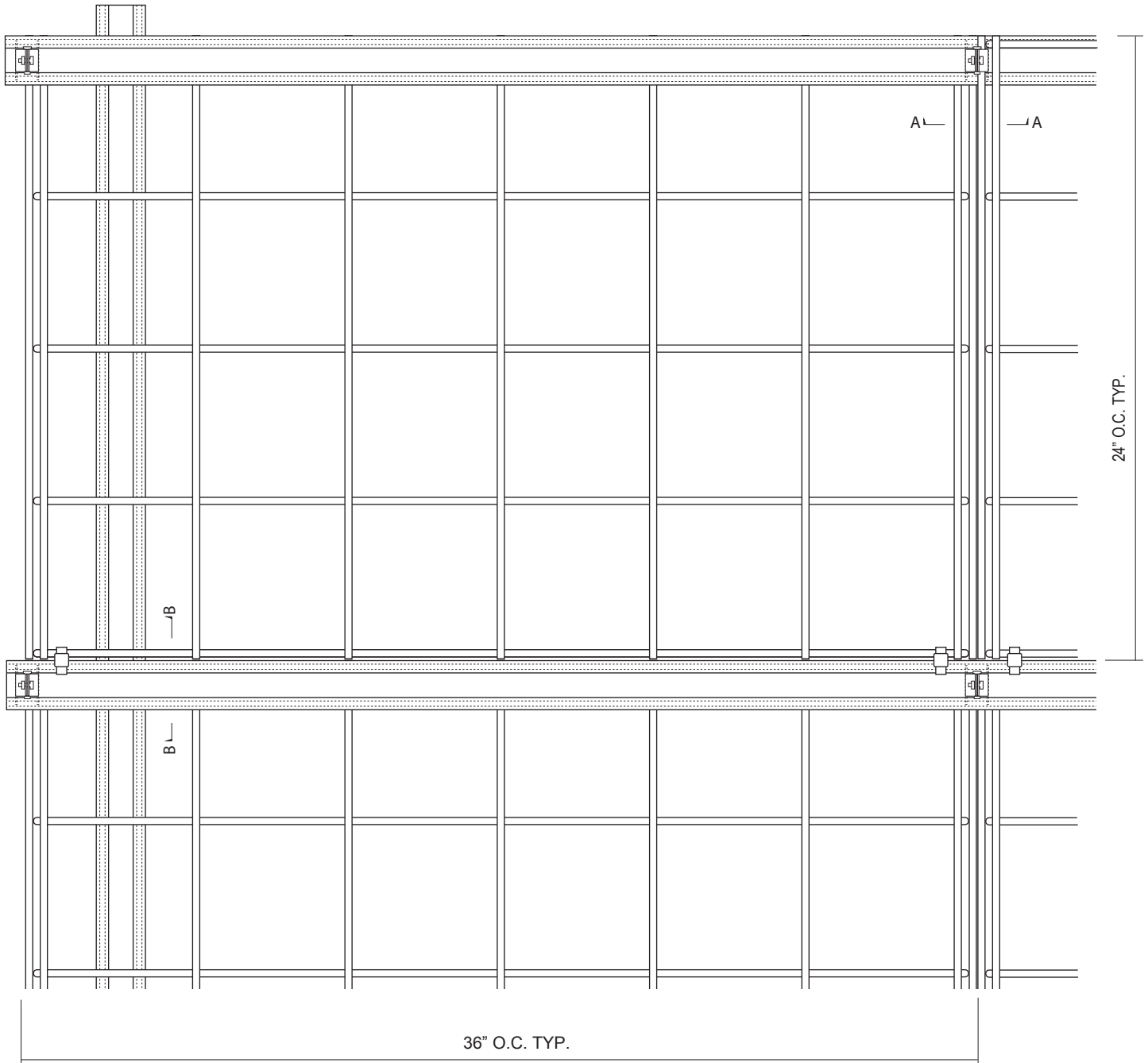
LIVING WALL SYSTEMS

6659 PEACHTREE INDUSTRIAL BLVD. SUITE B
NORCROSS, GEORGIA 30092 (770) 406-6330

FLORAFELT PRO SYSTEM WIRE GRID STRUT MOUNTING DETAIL

ELEVATION

FRONT VIEW

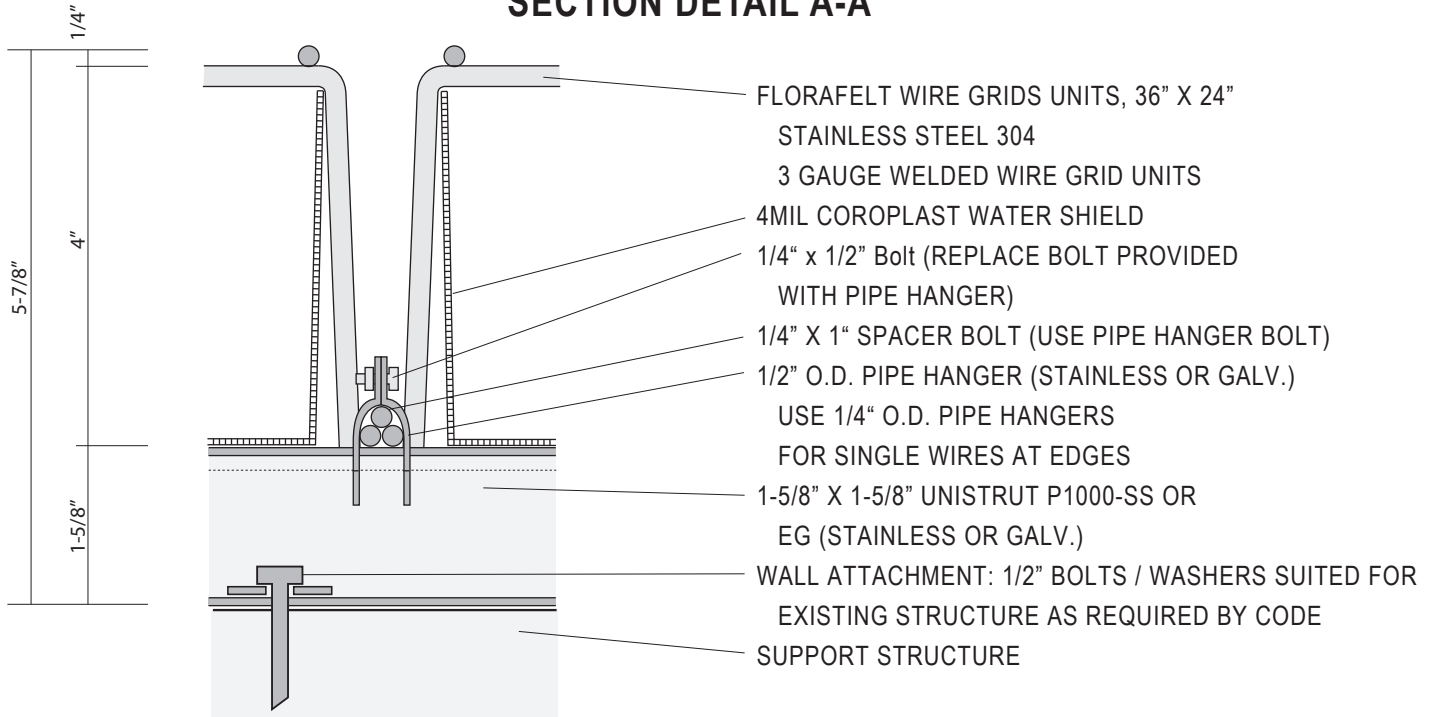


DESIGNS ARE FOR SUGGESTED USE ONLY - LOCAL BUILDING CODES MAY APPLY

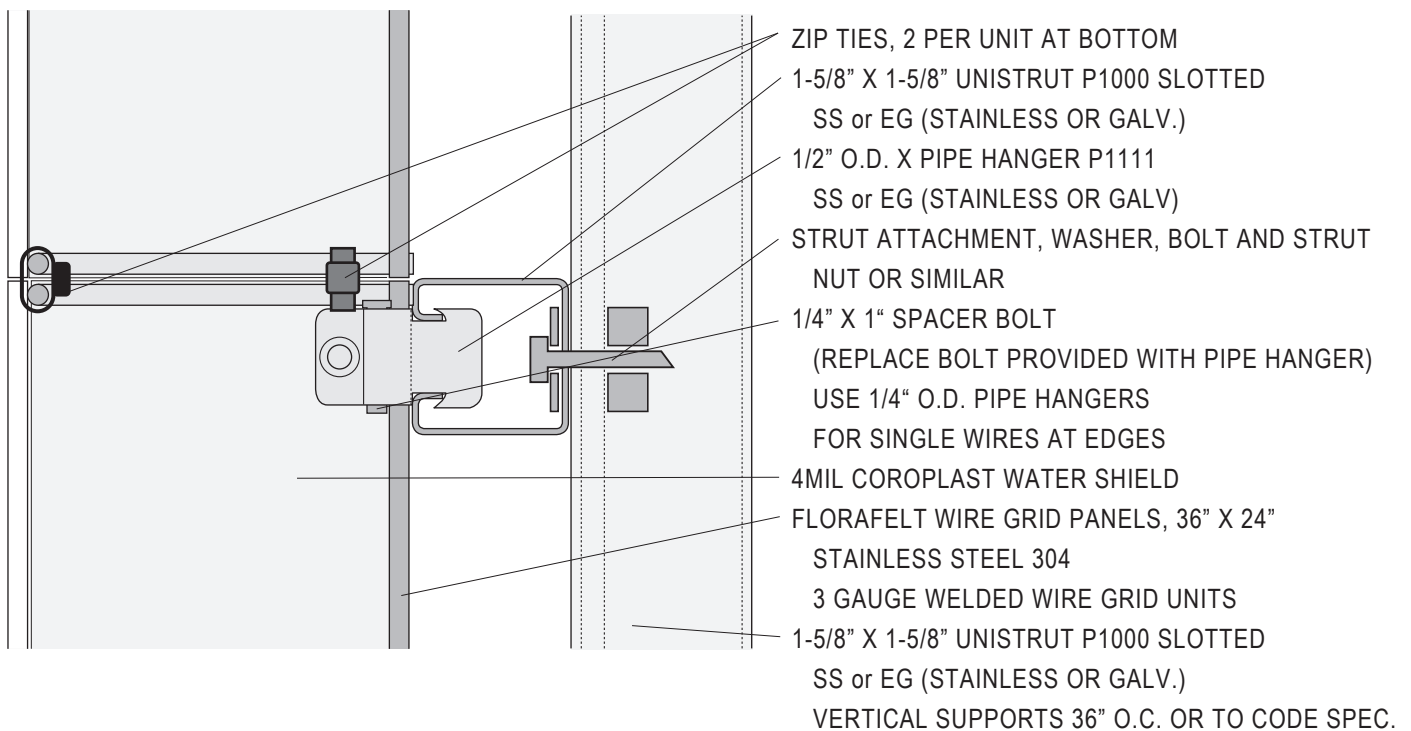
Liability Statement / Terms of Sale: Florafelt is not responsible and shall be held harmless for damage to buildings, water leakage, loss of plants, bodily harm, mold, or any accidental damages of any kind. Florafelt makes no representation or warranty with respect to the services of any third party that installs its products. ©2024 Florafelt Living Wall Systems. US Patent 8141294. Made in the USA from recycled materials.

FLORAFELT PRO SYSTEM WIRE GRID STRUT MOUNTING DETAIL FULL SIZE CHANNEL

SECTION DETAIL A-A



SECTION DETAIL B-B

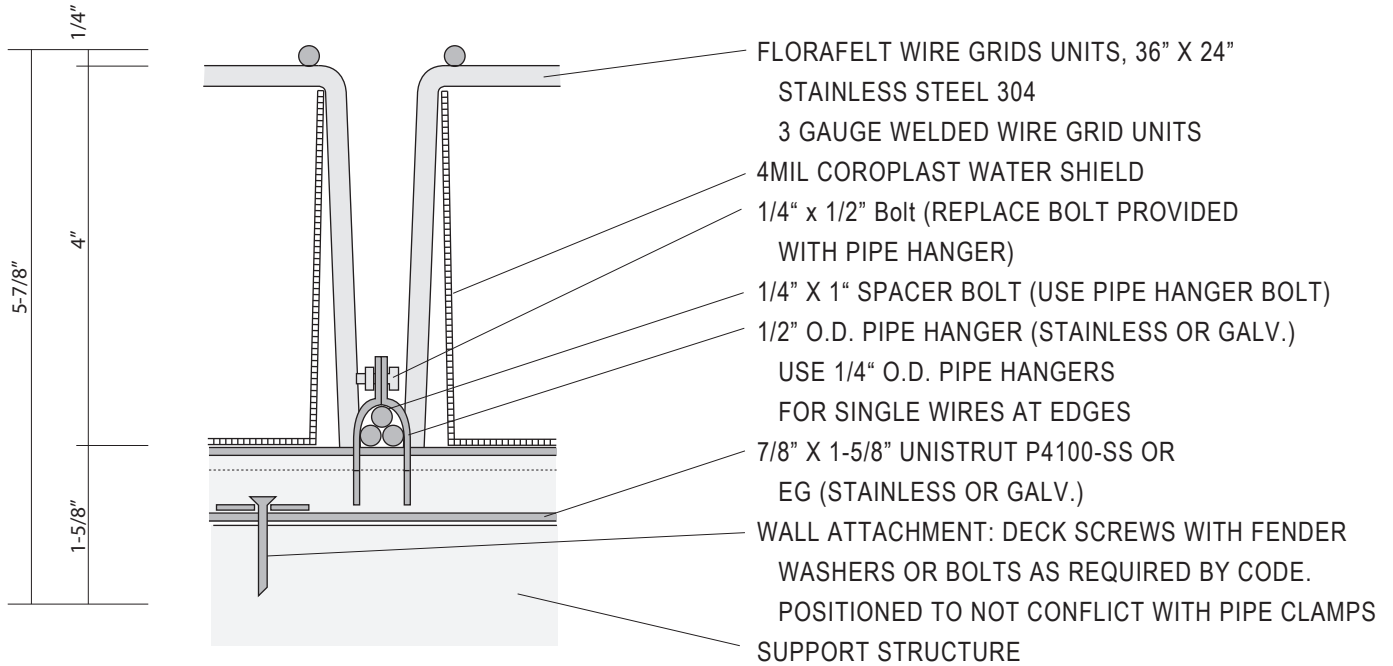


DESIGNS ARE FOR SUGGESTED USE ONLY - LOCAL BUILDING CODES MAY APPLY

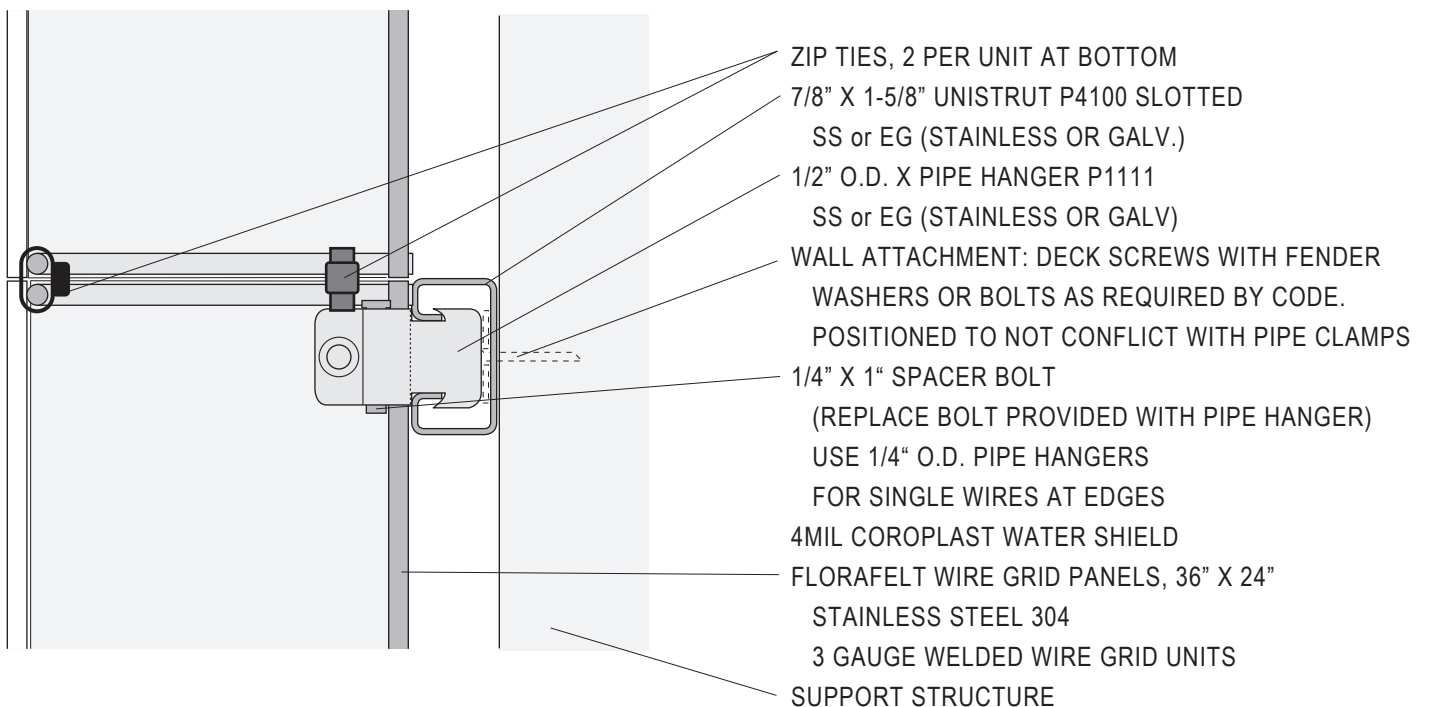
Liability Statement / Terms of Sale: Florafelt is not responsible and shall be held harmless for damage to buildings, water leakage, loss of plants, bodily harm, mold, or any accidental damages of any kind. Florafelt makes no representation or warranty with respect to the services of any third party that installs its products. ©2024 Florafelt Living Wall Systems. US Patent 8141294. Made in the USA from recycled materials.

FLORAFELT PRO SYSTEM WIRE GRID STRUT MOUNTING DETAIL NARROW CHANNEL

SECTION DETAIL A-A



SECTION DETAIL B-B



DESIGNS ARE FOR SUGGESTED USE ONLY - LOCAL BUILDING CODES MAY APPLY

Liability Statement / Terms of Sale: Florafelt is not responsible and shall be held harmless for damage to buildings, water leakage, loss of plants, bodily harm, mold, or any accidental damages of any kind. Florafelt makes no representation or warranty with respect to the services of any third party that installs its products. ©2024 Florafelt Living Wall Systems. US Patent 8141294. Made in the USA from recycled materials.

WEIGHTS TYPICAL

FLORAFELT / WIRE GRID / UNISTRUT WEIGHTS ESTIMATED CALCULATIONS

3' X 2' 6X6X1/4 SS FOLDED S.S. WIRE GRID WITH FELT AND WATER BARRIER. 12.4 LBS

- 12.4 / 6 SF = 2.1 LBS / SF

WRAPPED PLANTS 6" POTTED IN 16" FLORAFELT ROOT WRAPPER SOME SOIL REMOVED:

1-2 LBS EACH (4 PER /SF)

- 4 - 8 LBS/SF

HORIZONTAL 1-5/8" X 1-5/8" UNISTRUT SS 24" O.C. 10' PIECE = 17.6 LBS

- 3' SECTION PER 3'X2' PANEL = 5.28 LBS

- 5.28 LBS / 6 SF = .88 LBS /SF

HARDWARE SS 304

- VARIES BY PROJECT